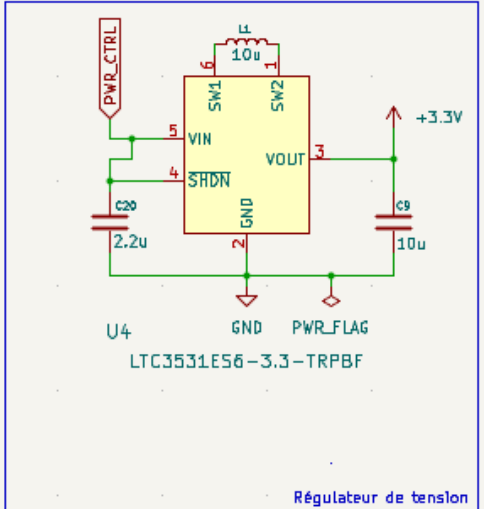
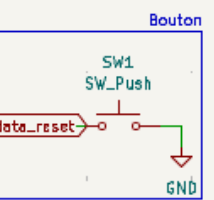
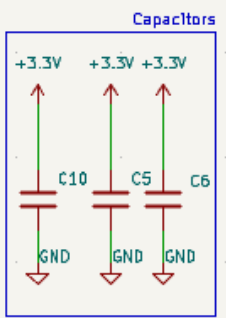
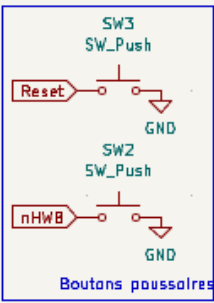
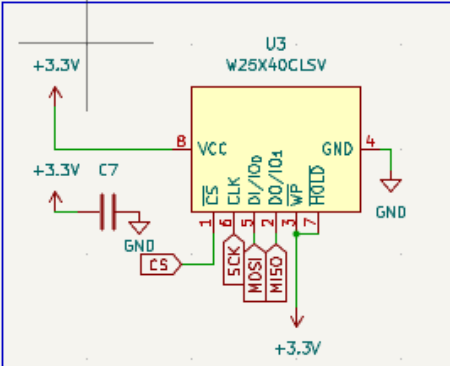
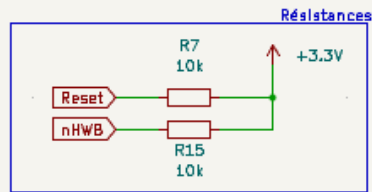
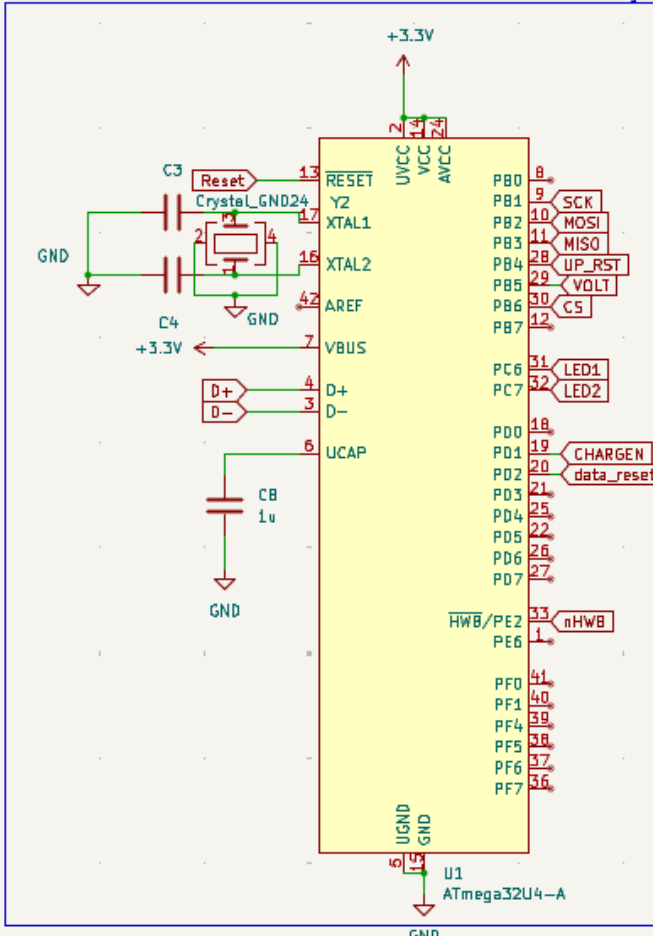


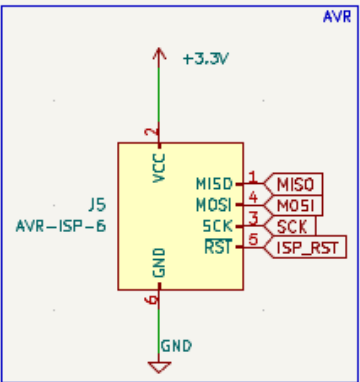
mémoire flash



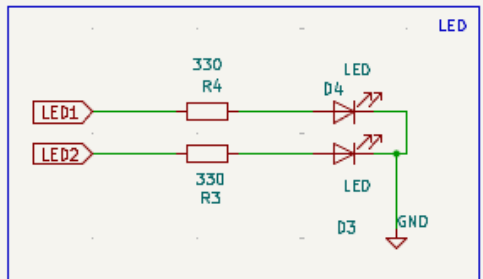
Atmega



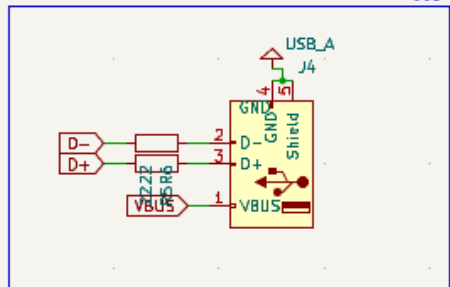
AVR



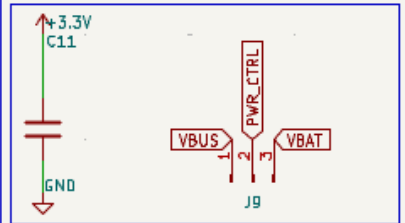
LED



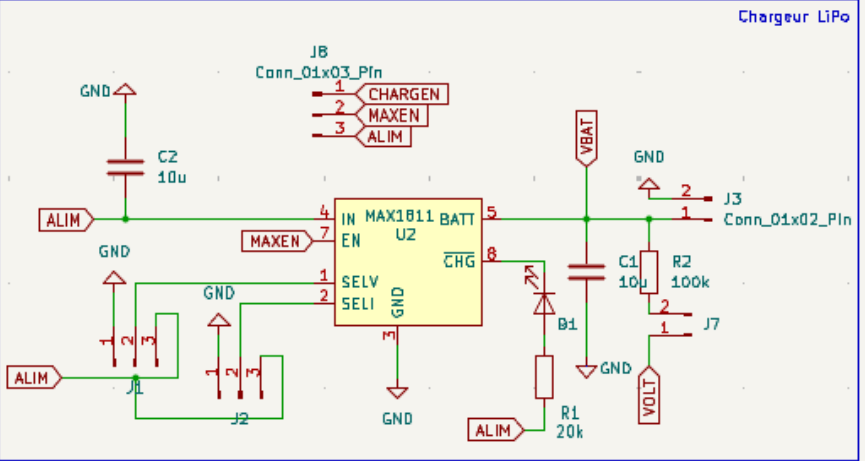
USB



Transistor canal P



Chargeur LiPo



Sheet: /
 File: fichier_kicad_projet_21.kicad_sch

Title:	
Size: A4	Date:
KiCad E.D.A. 9.0.7	Rev: 1/1