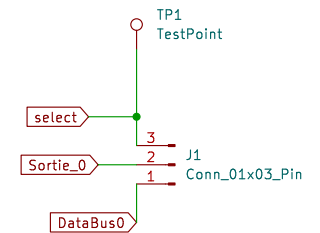
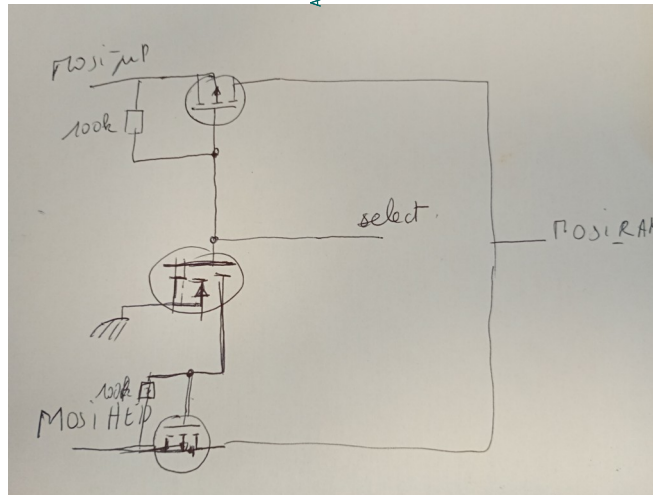
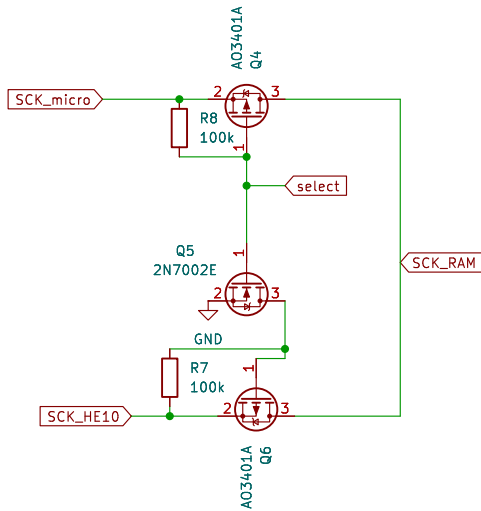
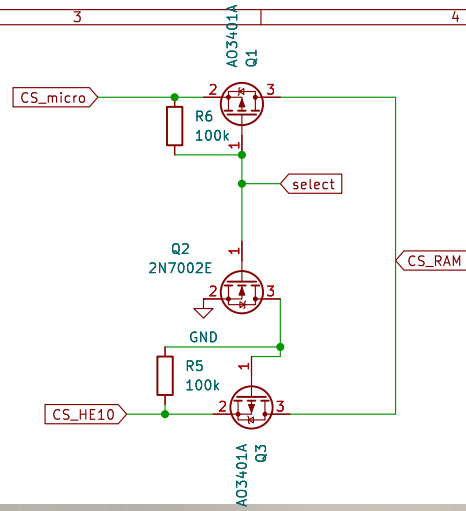
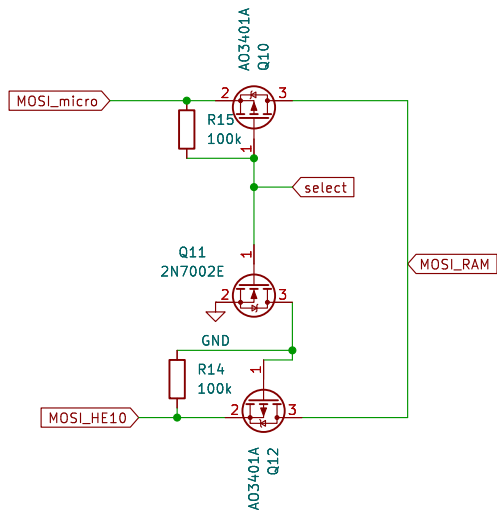


| | | | |
|----------------------------|--------------------|-------|---------|
| Sheet: / | | Date: | |
| File: CarteEcran.kicad_sch | | Rev: | |
| Size: A4 | KiCad E.D.A. 8.0.5 | | Id: 1/2 |



Sheet: /selecteurs/
 File: selecteurs.kicad_sch

Title:

Size: A4 Date:
 KiCad E.D.A. 8.0.5

Rev:
 Id: 2/2